

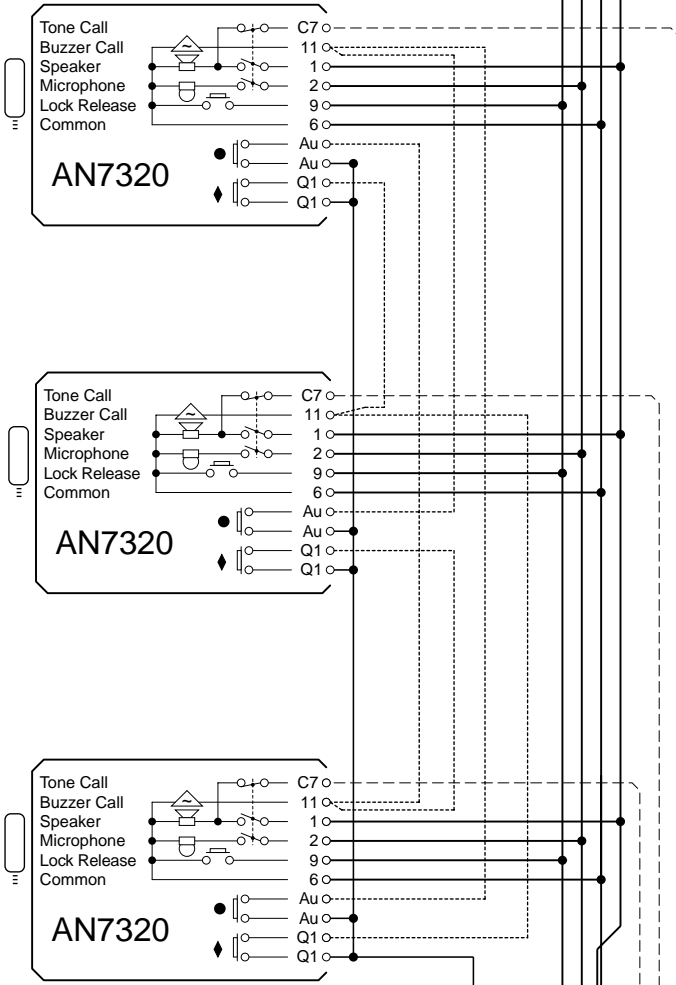
To other telephones

1D_nH1Ei 5343
 Single entrance audio door entry system with n phones & intercom between telephones using AK5343 electronic switch.

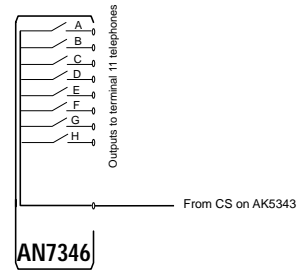
Cable requirements :
 The use of twisted paired telephone cable is recommended. Ideally connect 1 & 6 as a pair and 2 & 6 as a pair. This helps protect the speech wire from interference. Connect ALL spare wires to negative.
 Make connections as per diagram in order to avoid interference.
Please Note: When intercom between more than 3 telephones is required then telephone extension buttons must be used (type AN7346). In this case the buttons on the telephones (Au & Q1) will not be used.

Wire	Distance (m)
RefFunction	50 100 200 300
1 Loudspeaker	0.3 0.5 0.8 1.6
2 Microphone	0.3 0.5 0.8 1.6
6 Common -ve	0.5 0.8 1.0 1.6
9 Lock release	0.5 0.8 1.0 1.6

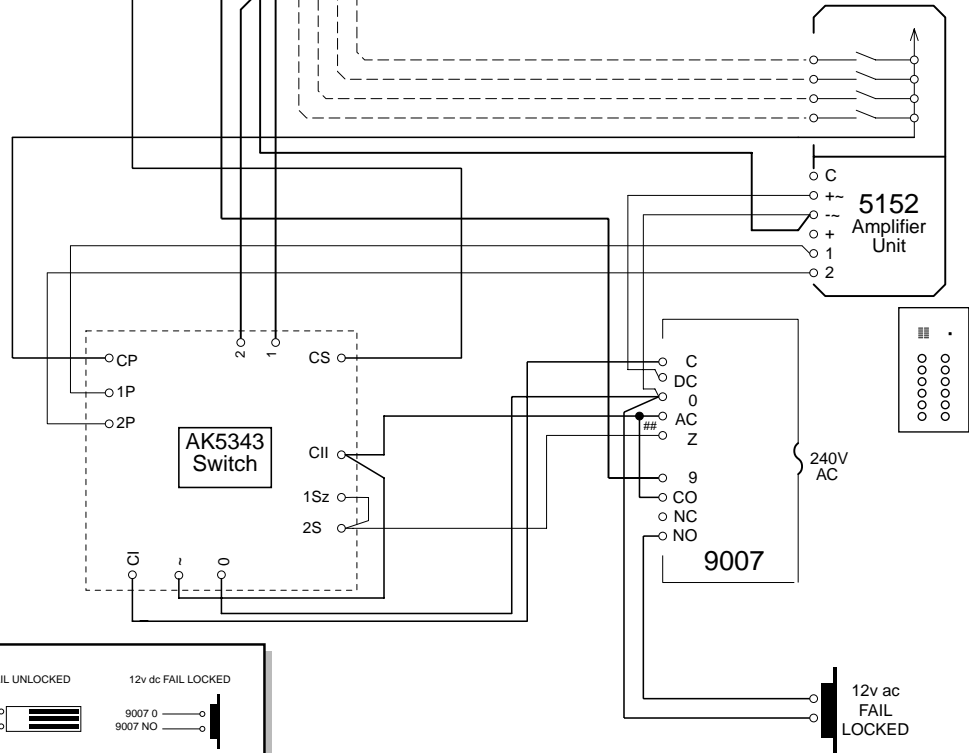
Cross sectional area of conductors mm²



Note: Do not cut any PCB links in phones.



Alternative intercom call wiring when using AN7346 extension buttons.



Locking Device Options
 When using 12v dc locks move link ## to DC.
 For FAIL LOCKED use NO
 For FAIL UNLOCKED use NC

12v dc FAIL UNLOCKED	12v dc FAIL LOCKED
9007 0	9007 0
9007 NC	9007 NO